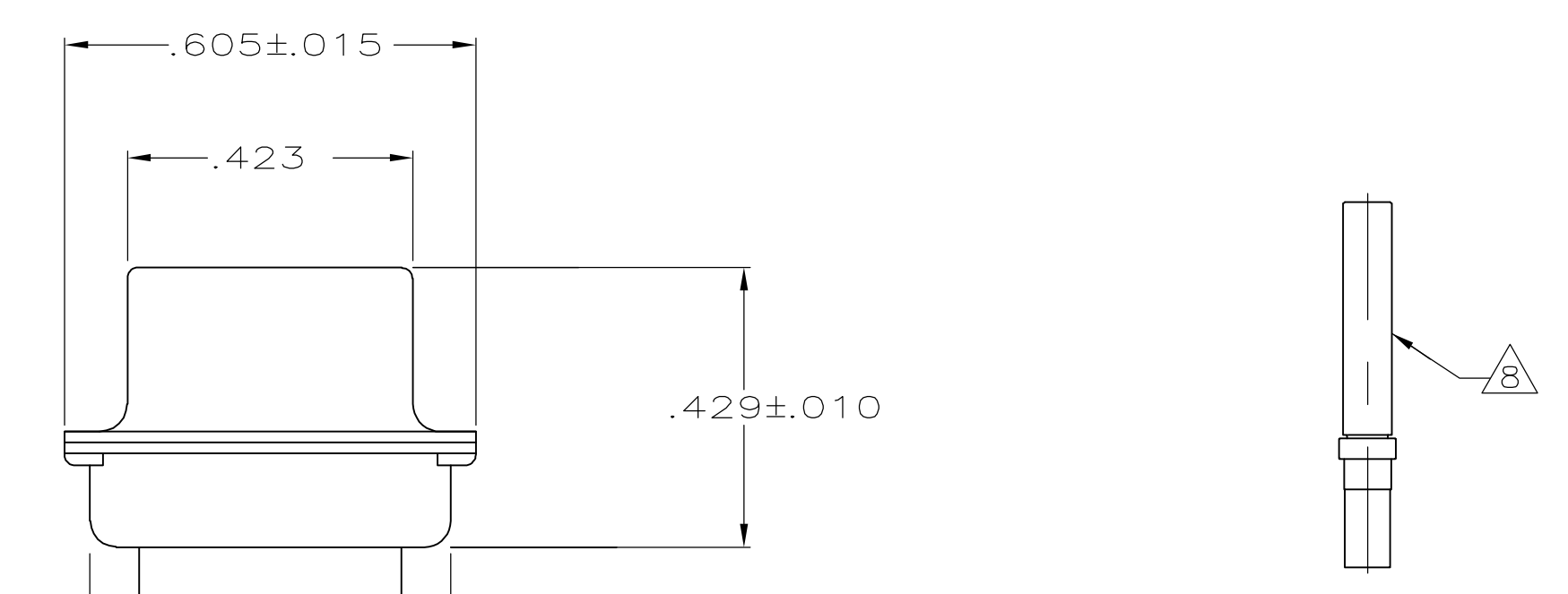
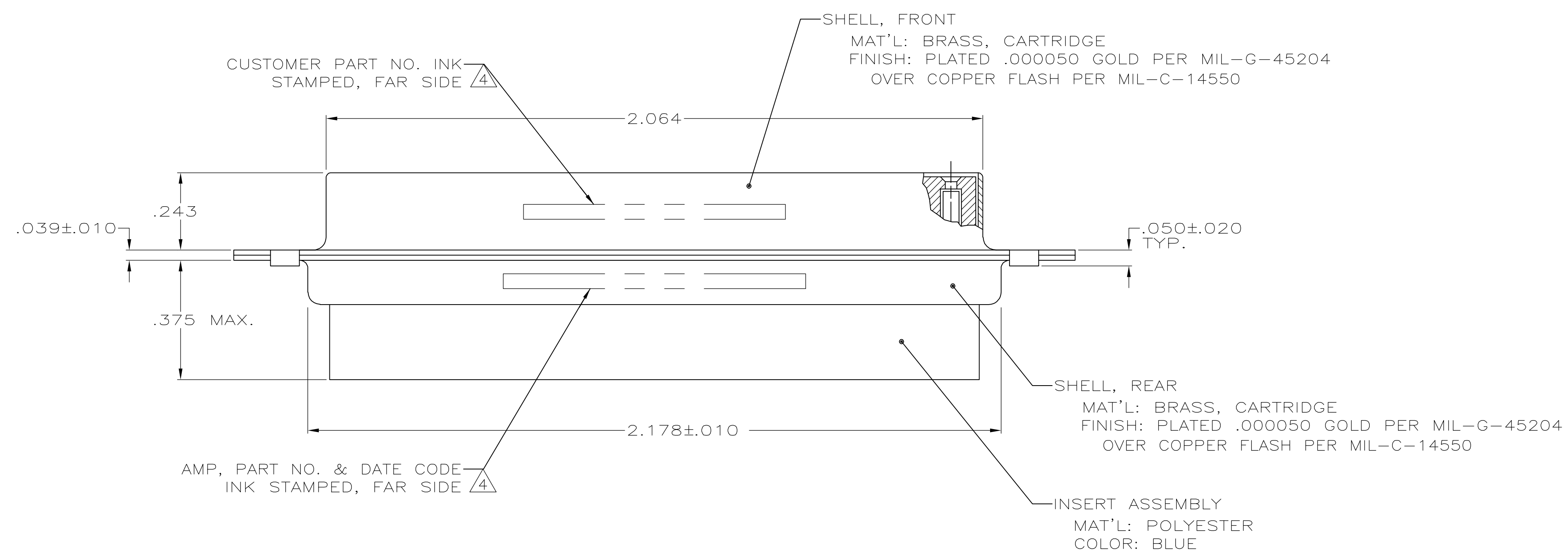


1. THIS RECEPTACLE WILL MATE WITH ANY PLUG CONNECTOR WITH THE SAME INSERT ARRANGEMENT AS DEFINED BY MS18277-1.
  2. MAXIMUM WIRE INSULATION USED WITH THIS RCPT. IS .072 DIA. MAX.
  3. Be-Cu RETENTION CLIPS ARE INCLUDED IN INSERTS.
- ⚠ 4 FAR SIDE REFERS TO WIDE SIDE OF KEYSTONE.
  - ⚠ 5 UL/CSA DESIGNATION STAMPED IN THIS AREA, OPTIONAL
  - ⚠ 6 THIS CONNECTOR IS QUALIFIED TO GODDARD SPACE FLIGHT CENTER S-311-P-4.
  - ⚠ 7 RESTRICTED TO CAE ELECTRONICS ONLY.
  - ⚠ 8 CONNECTOR SUPPLIED WITH 50 CONTACTS, AMP PART NUMBER 206793-1; (NOT INSTALLED).



NOT RELEASED FOR PRODUCTION  
 OBSOLETE  
 OBSOLETE

⚠ 8	.120	LMSC 1621480-005	206805-9	206805-9
	.120	LMSC 1621480-005	206805-8	206805-8
⚠ 6 ⚠ 7	.120	311P409-5S-B-12	206805-2	206805-7
				206805-6
				206805-5
	.120	2A014-010V-001	206805-4	206805-4
	.154		206805-3	206805-3
⚠ 6	.120	311P409-5S-B-12	206805-2	206805-2
⚠ 6	.154	311P409-5S-B-15	206805-1	206805-1
REMARKS	DIA A	INK STAMPED CUSTOMER P/N	INK STAMPED AMP P/N	PART NUMBER

THIS DRAWING IS A CONTROLLED DOCUMENT.

DIMENSIONS: INCHES	TOLERANCES UNLESS OTHERWISE SPECIFIED:	DWN: M. CLOUSER 1-4-89		Tyco Electronics Corporation Harrisburg, Pa 17105-3608
0 PLC ± -	1 PLC ± -	CHK: T. CANTLIN 1-24-89		NAME
2 PLC ± -	3 PLC ± .005	APVD: -	PRODUCT SPEC	RECEPTACLE FOR SOCKET CONTACTS, HI-DENSITY HDM CONNECTOR, HI-DENSITY HDM CONNECTOR.
4 PLC ± -	ANGLES ± -	FINISH	APPLICATION SPEC	SIZE: A1 CAGE CODE: 00779 DRAWING NO: 206805
MATERIAL SEE CALLOUTS	FINISH SEE CALLOUTS	WEIGHT	RESTRICTED TO	SCALE: 4:1 SHEET 1 OF 1 REV N
CUSTOMER DRAWING			SCALE: 4:1	SHEET 1 OF 1 REV N